

Electric Instantaneous Water Heater

Operation And Installation Instructions



Model No.:

KJU135

KJU144

Keep this Instructions Manual in a safe place once your unit is installed. You may need to refer to it for general instructions or future maintenance.

Please read and follow the installation and operation instructions carefully, to ensure the long life and reliable operation of this appliance.

CONTENTS

Important Safety Instructions	page 3
Product Feature	page 4
Electrical Diagram	page 5
Technical Data	page 6
Product Inner Structure	page 7
Installation Guideline	page 8
Installation Method	page 8
Operation Instructions	page 12
Trouble-Shooting	page 13
Normal Maintenance	page 14
Packing List	page 14

■ Important Safety Instructions

1. **The installation must be in compliance with the National Electrical Code, your local electrical and plumbing codes.**
2. **This appliance must be EARTHED.**
3. Install or locate this water heater only in accordance with the provided installation instructions.
4. Use this water heater only for its intended use as described in this manual.
5. Contact a qualified electrician to have unit properly installed for the models which are not equipped with plug.
6. This appliance is not intended for use by persons (including children) with reduced physical, sensory or mental capabilities, or lack of experience and knowledge, unless they have been given supervision or instruction use of the appliance by a person responsible for their safety.
7. This appliance **MUST** be permanently connected to the fixed circuit breaker and it must be installed vertically (excluding the models which are equipped with plug). **DO NOT** install this appliance near to tinder or strong magnetic field place.
Children should be supervised to ensure that they do not play with the appliance.
8. This appliance is **forbidden** to be switch on if you think it may be frozen, as this could result in serious damage to the unit. Wait until you are sure that it has completely thawed out before you switch it on.
9. Please feel the outlet hot water temperature with hand to make sure it is suitable for showering before taking shower to avoid getting scalded.
10. Before connecting pipes to the water heater hoses, it is extremely important to FLUSH the pipes to wash away all plumbing paste or residue in the pipes.
11. If there is damage to the wire, you must contact qualified electrician to replace it with dedicated wire from our authorized dealers.
12. The water relief valve should work periodically in order to remove calcium carbonate deposits.
13. The drain-pipe which connected to the water relief valve should be installed continuous downward in frostless environment.
14. The spray head must be descaled regularly.

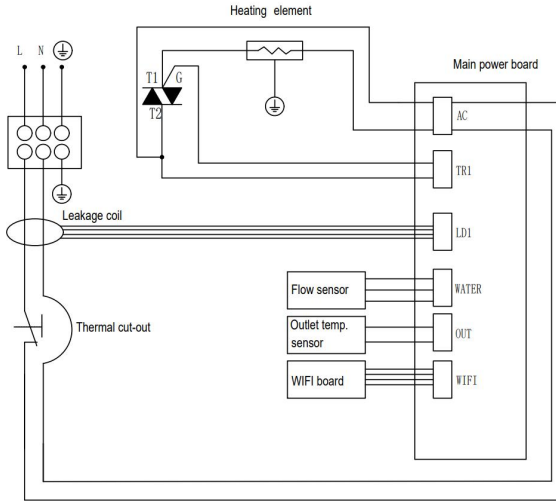
WARNING: Do not switch on if there is a possibility that the water in the heater is frozen.

■ Product Features

The electric instantaneous water heaters are incorporated with patent heating technology with multi-safety devices. Besides, the unit has the following features.

1. Instantaneous heating for on demand hot water, no pre-heating, no stand-by heating loss. energy-saving.
2. High strength ABS splash proof casing.
3. Compact appearance and unlimited supply of hot water.
4. Easy operation, smart constant temperature function.
5. Micro-computer control, adopting patent heating technology. Water is completely separated from electricity by multi-layers of composite nano insulation material.
6. Over temperature protection: when the outlet water temp. reaches or over 75°C, the appliance will avoid getting scalded and will start to work automatically while temp. drops to a certain temperature.
7. Malfunction of sensor-when there is malfunction with the outlet temperature sensor, the heater stops working and displays E4.
8. Dry-heating thermal cut-off. When the heating temperature is over 95°C, the power will be cut off.

■ Electrical Diagram

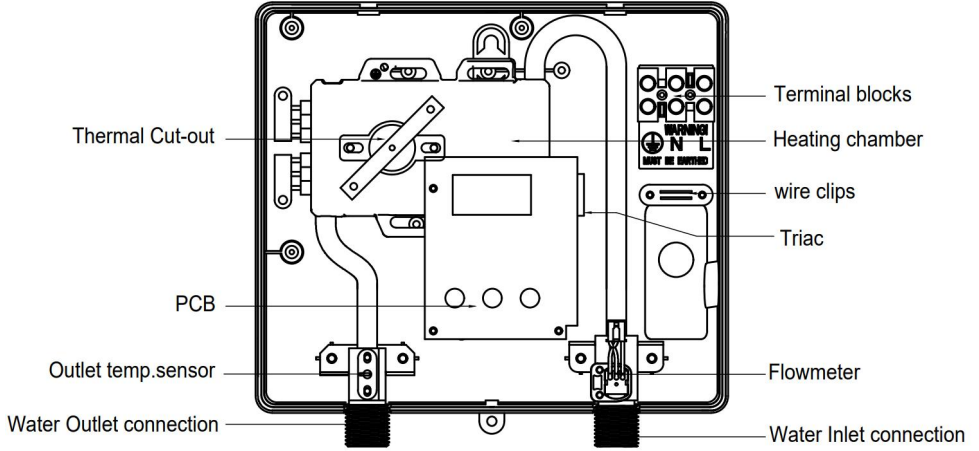


■ Technical Data

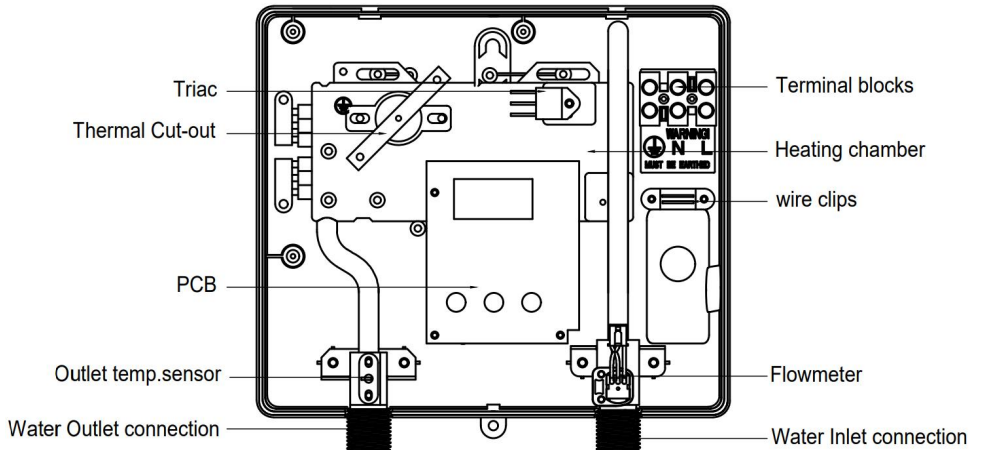
Model	KJU135	KJU144
Voltage	120V	
Wattage	3500W	4400W
Rated Current	29.2A	36.6A
Min. required circuit breaker	30A	40A
Min. wire size	12AWG	10AWG
Min. water flow to activate unit	0.26GPM	0.31GPM
Temp. setting range	30-60°C	
Thermal Cut-Out (Manual reset)	95°C	
Over Heating protection	75°C	
Working pressure	2.9-87PSI	
Product Dimensions	226*196*78mm	
Water connections	NPT1/2"	

Product Inner Structure

3.5kW



4.4kW



■ Installation Guideline

The installation must be in compliance with the National Electrical Code, your local electrical and plumbing codes.

1. Make sure the appliance is intact, and the fittings are complete.
2. Please make sure the main power supply, water pressure, grounding condition, ammeter and wire reach the standard of installation requirement.
3. The appliance must be connected to properly grounded dedicated branch circuits of proper voltage rating. Ground must be brought to the “ground” at the circuit breaker panel.
4. This appliance **MUST** be permanently connected to the fixed circuit breaker. If you don't use the heater, please switch off the circuit breaker.
5. **DO NOT** install this appliance near to tinder or strong magnetic field place. The appliance can be installed above or under the sink, and unit must only be mounted in a VERTICAL position near by the water fittings. Please electrify try the machine after getting through waterway.

■ Installation Method

●General

The Mini tankless electric water heater can be used for hand washing, kitchen and it can be installed above or under the sink.

●Mounting the unit

Locate an appropriate place on a section of wall as above mentioned.

Fig 1 —————> Front and back of the appliance

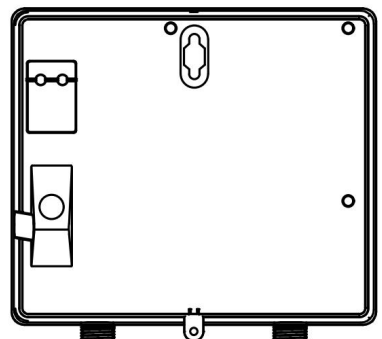
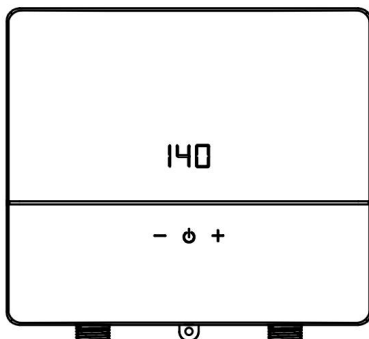


Fig 2 → Use a cross screwdriver to remove the screw at point A, then open the front case.

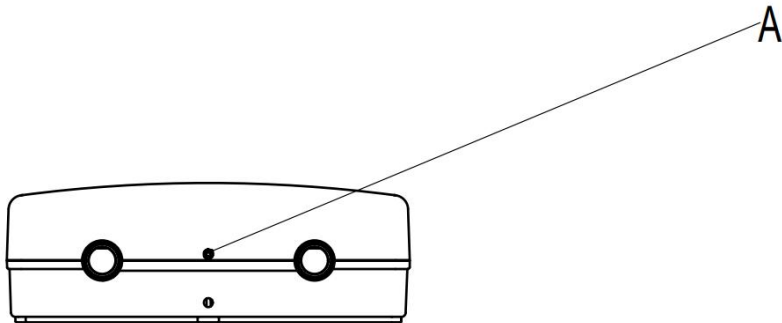


Fig 3 → Then connect power cord to the terminal blocks with Line wire, Neutral wire and Ground wire in pointed position.

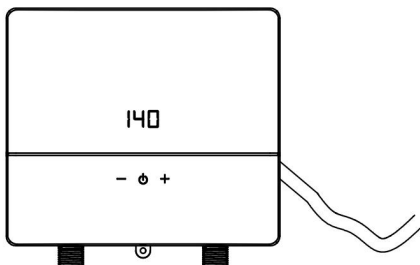
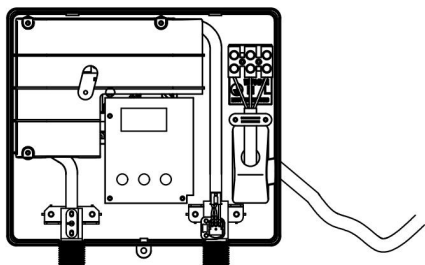


Fig 4 → Drill two holes of 6.00mm diameter: if you install the heater upright above the sink, the distance between every two holes is 181mm; if you install the heater upside down under the sink, the distance between every two holes is 159.5mm. Put plastic anchor in the holes

Fig4-A: Upward Installation

Fig4-B: Upside down Installation

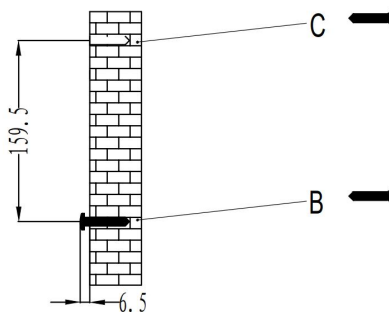
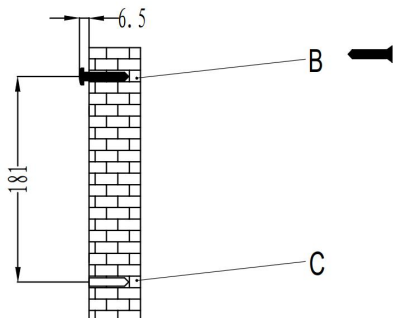


Fig 5 → For Upright Installation, nail in the floor in upper hole (Fig5-A). For Downward Installation, nail in the floor in under hole (Fig5-B), fix the appliance on the wall with the below nail.

Fig5-A: Upward Installation

Fig5-B: Upside down Installation



Fig 6 → Fix the appliance on the wall with the fixed nail;

Fig6-A: Upward Installation

Fig6-B: Upside down Installation

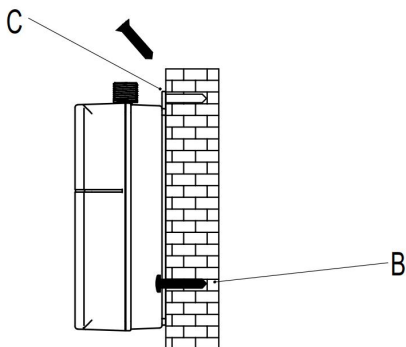
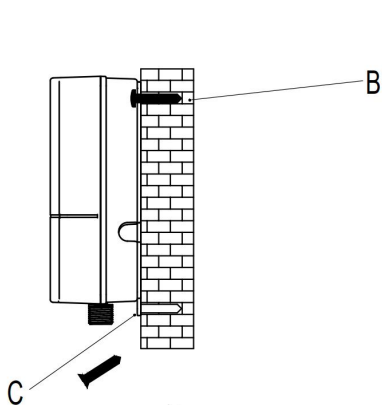
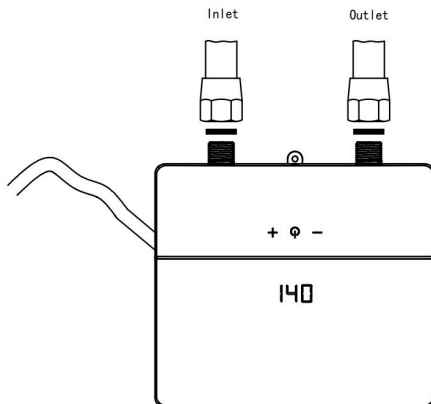
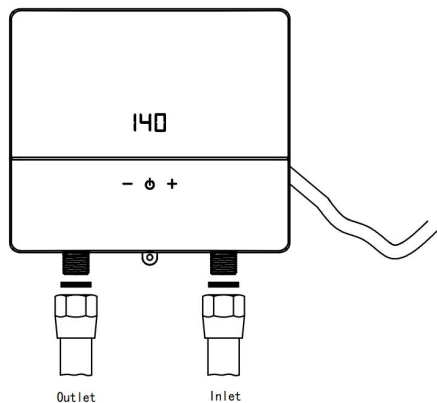


Fig 7 → Connect the water pipe to the water inlet and water outlet connections, please remember to install the rubber seal ring.

Fig7-A: Upward Installation

Fig7-B: Upside down Installation



●Water Connections

- 1--- All water pipe must comply with national and applicable state and local water pipe codes.
- 2--- No matter installs the appliance upright or handstand, please connect the inlet connection (blue arrow points to) to the cold water inlet pipe; connect the outlet connection (red arrow points to) to the hot water outlet pipe.
- 3---The unit should be connected directly to the main water supply. Flush pipe with water to remove any debris or loose particles. Following pics is for your reference.
- 4--- It is required that use NPT1/2" water connections to fit the appliance. Please connect the inlet and outlet pipe in perspective. Following pictures are for your reference.
- 5---Please remember to install rubber seal rings at the connections. When all water connections are completed, check for leaks and take corrective action before proceeding.

●Electrical connection

1. All electrical work must comply with national and applicable state and local electrical codes.
2. All unit must be connected to a properly grounded dedicated branch circuit of proper

voltage rating.

3. While fed the cable to terminal blocks/Circuit Breaker, please make sure the metal wire ends and the terminal blocks to touch completely. Then tighten the screws up to make sure the full current can go through.


4. Before beginning any work on the electric installation, be sure that main breaker panel switch is OFF to avoid any danger of electric shock, all mounting and plumbing must be completed before proceeding with electrical hook-up.

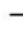

■ Operation Instructions



1. Turn on the circuit breaker to bring electrical power to the unit.

2. Open water faucet for a few minutes until water flow is continuous and all air is purged from water pipes. The unit must be operated after the breakers are turned on.

3. After the unit is supplied with power, a beep sound can be heard and LED lights for 2 seconds, no other display, the appliance enter the standby mode.

4. Press “  ” to turn ON/OFF the appliance. When the unit is ON, LED displays setting temperature for 2 seconds, then display the actual outlet water temperature. stop operating for 2 seconds, the screen switch to the screen saver mode. the display screen will be light off. If there is touch to the screen, the screen will light again.

5. Press  and  to adjust the outlet temperature. Temperature setting range is 30--60°C.

- If the unit has been paused, you may initially get a short burst of very hot water while you turn on again. Please run the water through for a few seconds to let the temperature settle down. Please check hot water with hand before you taking a shower.
 - If the unit will not be used in winter, drain out water completely so that the heater will not be frozen.
 - Please periodically clean inlet strainer and the shower to keep a free water flow.
6. In off mode, touch  and  at the same time, hold on for 3 seconds, the LED digital display will be upside down.
7. Overheat Protection: if the outlet temperature $\geq 70^{\circ}\text{C}$, the water heater

Will stop working until the outlet temperature dropped to 50 °C, it will start to work again automatically. if the outlet temperature $\geq 75^{\circ}\text{C}$, LED will display E1.

8. There is an automatic memory function to avoid repetitive operation, while you turn on the appliance, the default set temperature will be the same as last time set.

■ Trouble-shooting

Problems	Possible Causes	Corrective Actions
1. Inlet and outlet fittings leaking	A. Fittings not tight B. Rubber washer worn-out	A. Tighten fittings. B. Change rubber washer.
2. LED no signal	A. Power not connected. B. LED damaged.	A. Connect power to the unit. B. Change LED.
3. Functional keys not working	A. No water out from shower. B. Water pressure too low. C. Key or PCB damaged.	A. Open valve to get water. B. Open valve to get pressure. C. Change key or PCB.
4. Water too hot	A. Too high temperature set. B. Water flow too small.	A. Set a lower temperature. B. Increase inlet water flow.
5. Water too cold	A. Low temperature set. B. Water flow too much.	A. Set a higher temperature. B. Reduce water flow.
6. Outlet water gets smaller and smaller.	Inlet strainer or shower clogged.	Clean strainer and shower.
7. LED displays E1	Outlet temp. is over 75°C.	A. Turn on/ increase inlet water flow B. Please contact with the local dealer
8. LED displays E2	Electricity leakage	Please contact with the local dealer
9. LED displays E4	Outlet temperature sensor failure	Please contact with your local dealer

■ Normal Maintenance

Note: Do not attempt to repair this water heater yourself, call a service person for assistance. Before this operation, the power supply needs to be shut off.

It is not required any regular maintenance. However, to ensure consistent water flow, it is recommended following maintenance.

1. Periodically remove scale and dirt that may build up at the aerator of the faucet or in the shower head.
2. There is a built-in filter screen at inlet connection which should be cleaned from time to time. Please turn off the water flow before doing this.

■ Correct Disposal of this product



This marking indicates that this product should not be disposed with other household wastes throughout the EU. To prevent possible harm to the environment or human health from uncontrolled waste disposal, recycle it responsibly to promote the sustainable reuse of material resources. To return your used device, please use the return and collection systems or contact the retailer where the product was purchased. They can take this product for environment safe recycling.

■ Packing List

Item	Unit	Quantity
Electric Water Heater	Unit	1
Rubber plugs and screw	Piece	1
Operation and Installation instructions	copy	1